



TSF010

FLAT ETHERNET SWITCH



Energy & utilities



Enterprise



Industrial & automation



Retail



Smart city

3-PIN POWER INPUT

Flexible and tailor-made for industrial use

FLAT & COMPACT

Flat and compact design weighing only 142 g

INTEGRATED DIN RAIL BRACKET

Easy mounting for plug-and-play deployment

7-57 VDC

Suitable voltage range for industrial applications

Ethernet

Ethernet	5 x ETH ports, 10/100 Mbps, supports auto MDI/MDIX crossover
IEEE 802.3 series standards	802.3i, 802.3u, 802.3ab, 802.3x, 802.3az

INDUSTRIAL PROTOCOLS

Profinet	Profinet Class A conformance (available with optional order code)
----------	-------------------------------------------------------------------

Performance Specifications

Bandwidth (Non-blocking)	10 Gbps
Packer buffer	128 KB
MAC address table size	2K entries
Jumbo frame support	9216 bytes

Power

Connector	3-pin industrial DC power socket
Input voltage range	7 – 57 VDC, overvoltage protection: 60 Vmax, reverse polarity protection: 80 Vmax, surge protection: min 64.4V/max 71.2V breakdown voltage, 93.6V maximum reverse voltage @4.3A maximum reverse surge current
Input voltage range*	12-40 VAC (50/60Hz)
	*Feature availability varies by order code
Power consumption	Idle: 1 W / Max: 1.5 W

Physical Interfaces

Ethernet	5 x RJ45 ports, 10/100 Mbps
Status LEDs	1 x Power LED, 10 x ETH status LEDs
Power	1 x 3-pin industrial DC power socket
Grounding	Grounding terminal on power connector

Physical Specification

Casing material	Anodized aluminium housing and panels
Dimensions (W x H x D)	113 x 28 x 50 mm
Weight	142 g
Mounting options	Integrated DIN rail bracket

Operating Environment

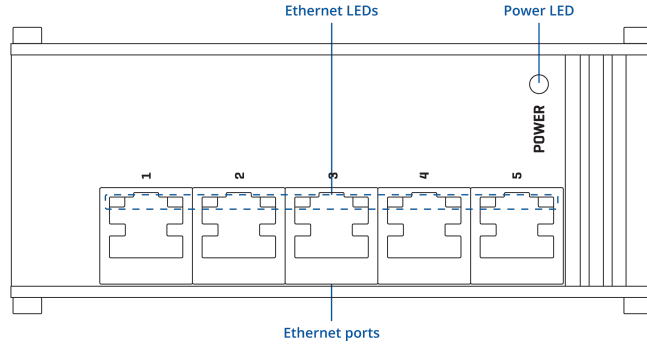
Operating temperature -40 °C to 75 °C

Operating humidity 5% to 95% non-condensing

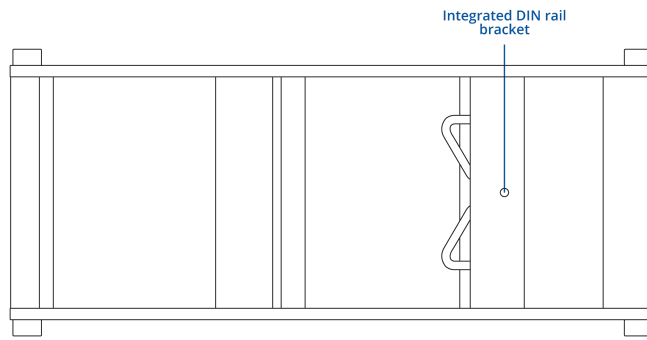
Ingress Protection
Rating IP30

Hardware

FRONT VIEW



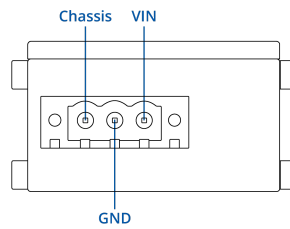
BACK VIEW



RJ45 LED MEANING



POWER SOCKET PINOUT



Ordering

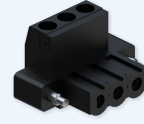
Standard package*



TSF010



QUICK START GUIDE



3-PIN POWER
CONNECTOR

*Standard package contents may differ based on standard order codes.

For more information on all available packaging options – please [contact us](#) directly.

Classification codes

HS Code: 851762

HTS: 8517.62.00

For more information on all available packaging options – please [contact us](#) directly.

Available versions

Hardware version	Supported frequencies	Standard order code / Package Contains
TSF010 *****0 Input voltage range: 7 – 57 VDC	N/A	TSF010000000 / Standard package without PSU
TSF010 *****1 Profinet Class A conformance Input voltage range: 7 – 57 VDC	N/A	TSF010000001 / Standard package without PSU
TSF010 *1***0 Input voltage range: 12-40 VAC (50/60Hz)	N/A	TSF010010000 / Standard package without PSU
TSF010 *1***1 Profinet Class A conformance Input voltage range: 12-40 VAC (50/60Hz)	N/A	TSF010010001 / Standard package without PSU

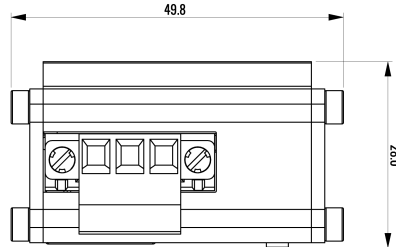
TSF010 spatial measurements

Available versions

Device housing (W x H x D)	113 x 28 x 50 mm
Box (W x H x D):	140 x 32 x 56 mm

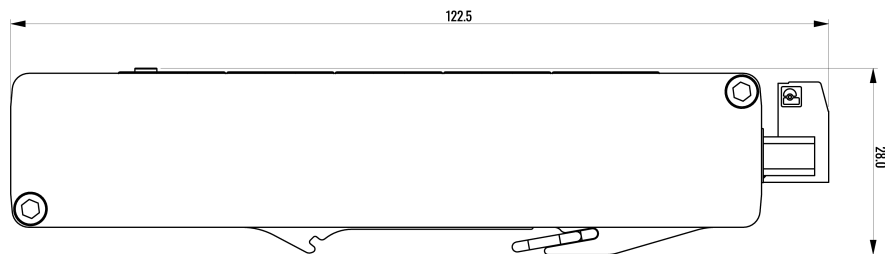
TOP VIEW

The figure below depicts the measurements of device and its components as seen from the top:



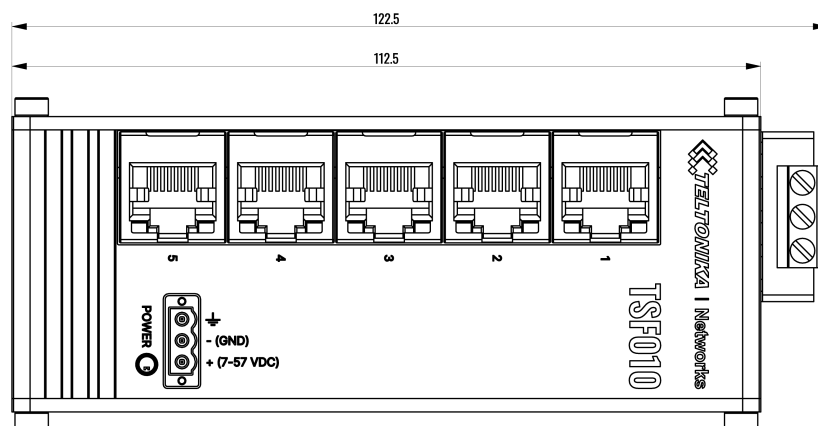
RIGHT VIEW

The figure below depicts the measurements of device and its components as seen from the right:



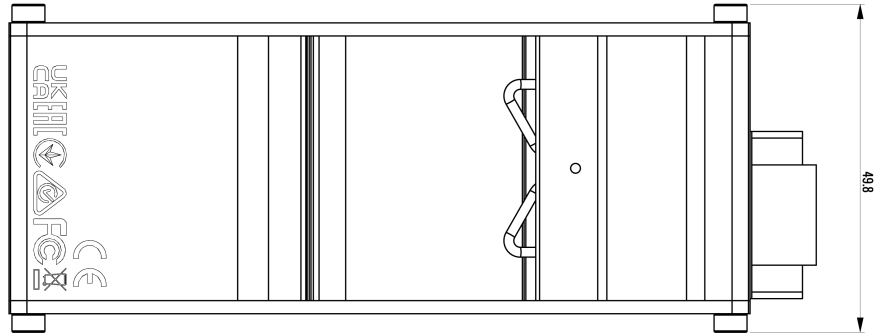
FRONT VIEW

The figure below depicts the measurements of device and its components as seen from the front panel side:



REAR VIEW

The figure below depicts the measurements of device and its components as seen from the back panel side:



MOUNTING SPACE REQUIREMENTS

The figure below depicts an approximation of the device's dimensions when cables and antennas are attached:

