

DS-3T3512P Gigabit PoE industrial Switch



DS-3T3512P is a layer3 PoE network management industrial switch independently developed by our company. The switch can support 4 Gigabit SFP + 8 Gigabit ports. Designed for industrial applications, support a variety of useful management functions, such as IGMP snooping, IEEE 802.1Q VLAN, port-based VLAN, QoS and port mirroring. The Ethernet redundancy technologies, RSTP/STP, and MSTP can increase system reliability and the availability of your network backbone. The switches has USB interfaces for switch configuration, system file backup, and firmware upgrade, making them easier to manage. In addition, the DS-3T3512P layer3 industrial Ethernet Switches has a rugged metal housing to ensure suitability for use in industrial environments and fiber connection can be selected.

Feature and Function

- 4 1000BaseX SFP Ports and 8 802.3af/at PoE/PoE+ 10/100/1000BaseT Ports. 1 Management Serial CLI Port.
- Support static routing, policy routing, rip, OSPF and other three-layer routing protocols
- Easy network management by web browser, CLI, Telnet, serial console.
- IGMP snooping and GRMP for filtering multicast traffic.
- Port-based VLAN, IEEE 802.1Q VLAN, and GVRP to ease network planning.
- QoS (IEEE 802.1P/1Q and TOS/DiffServ) to increase determinism.
- SNMPv1/v2c/v3 for different levels of network management.
- Support IEEE 802.3af/at compliant PoE.
- Each PoE port provides up to 30W output power.
- PoE management: PoE device detection, PoE power management
- Dual redundant power inputs design for DC models
- Die-casting aluminum alloy housing
- Fanless, -40 to 75°C wide operating temperature range



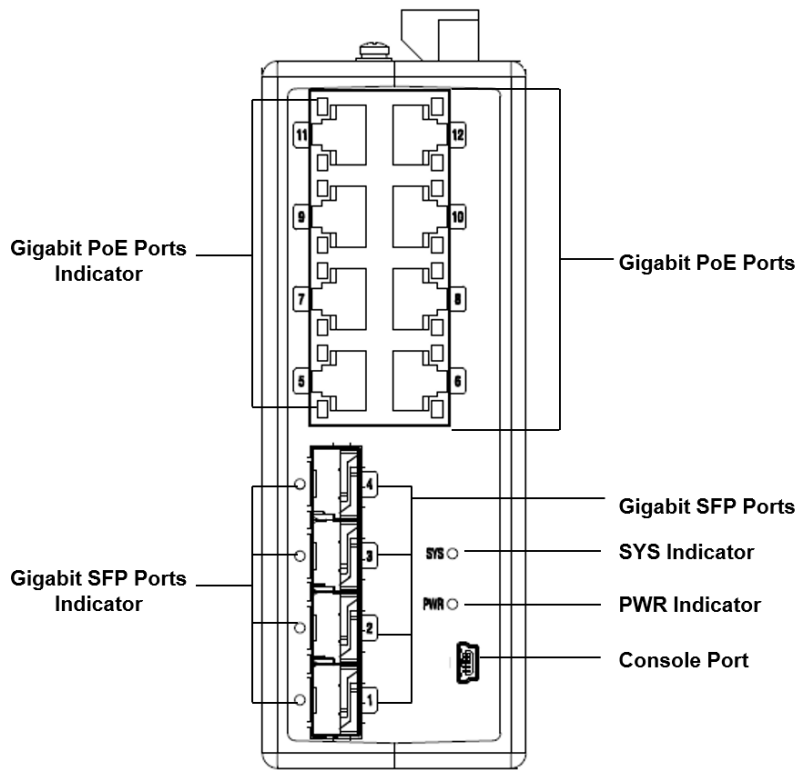
Specification

Model		DS-3T3512P
Network Parameters	Port Number	4 1000BaseX SFP Ports, and 8 10/100/1000BaseT Ports. 1 Management Serial CLI Port.
	Forwarding Mode	Store-and-forward switching
	MAC Address Table	8 K
	Switching Capacity	52 Gbps
	Packet Forwarding Rate	18 Mpps
	Internal Cache	4 Mbits
PoE Power Supply	PoE Standard	IEEE 802.3af, IEEE 802.3at
	PoE Power Pin	Mid-span: 4/5(+), 7/8(-)
	PoE Port	Ports 5 to 12
	Max. Port Power	30 W
	PoE Power Budget	≤240w (based on power supply, power supply unit not included)
Software Function	Device Maintenance	Support CLI, Telnet, Console, mini usb console, SSH Support web, http, https Support FTP, TFTP, X-modem, SFTP Support SNMP V1/V2c/V3 Support RMON Support NTP
	Reliability	Support STP/RSTP/MSTP Support EAPS/MEAPS Support MRD-Ring Support ERPS Support VRRP Support BFD for OSPF Support BFD for OSPF
	VLAN	Support IEEE 802.1Q (VLAN), Up to 256 VLAN groups, 4096 VLAN IDs Support GVRP Support QinQ Support VLAN based on MAC/ protocol /IP subnet / policy / port Support Private VLAN Support 1:1 and N:1 VLAN Mapping functions
	Port Mirroring	Support local and remote port mirroring Support N:4 port mirroring Support flow mirroring Support MAC mirroring
	Routing	Support Static routing, RIP, OSPF Support IPv4/IPv6 ECMP Support VRRP, VRRP v3 Support IPv4/IPv6 Policy-based routing Support IPv4/IPv6 Routing policy Support IPv4/IPv6 dual stack Support IPv6 static routing, RIPng, OSPFv3

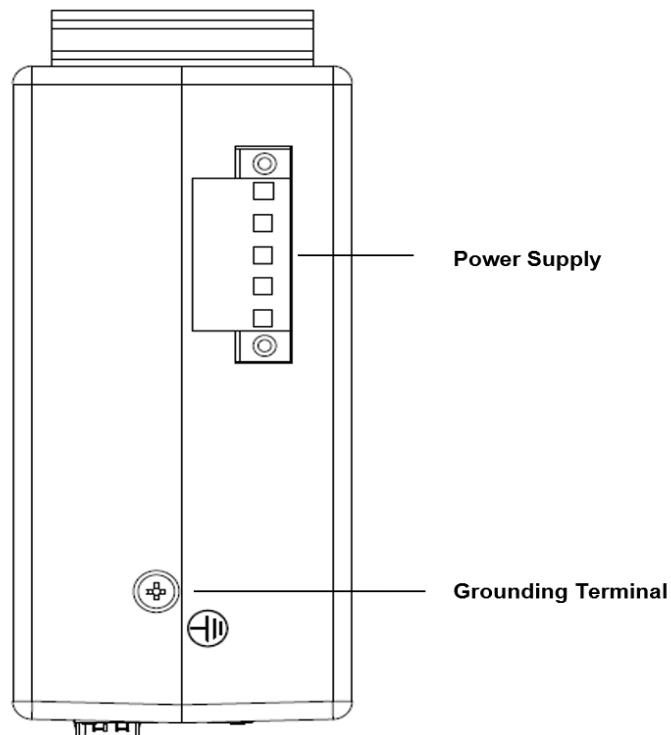
	QoS	Support Diff-Serv QoS Support 802.1p/DSCP priority mapping Support Queue scheduling including SP, WRR, WFQ, SP+WRR, SP+WFQ Support Priority marking and remarking Support Traffic shaping Support Congestion avoidance, Tail-Drop and WRED Support 802.1p, TOS, DSCP, and EXP priority mapping Support Port/Flow- based Rate Limiting
	Multicast	Support IGMP v1/v2/v3 Snooping Support IGMP V1/V2/V3 Support MLD Snooping v1/v2 Support MLD v1/v2
	ACL	Support IP-based ACL/MAC-based ACL Support based on MAC Address, IP Address, Ethertype, Protocol Type, VLAN ID, DSCP, 802.1p Priority Support up to 256 ACLs
	Link Aggregation	Support IEEE 802.3ad LACP/static link aggregation
	Security	Support AAA,TACACS+ Radius Authentication Support 802.1X authentication, MAC authentication, MAC bypass authentication Support to prevent DOS, ARP attack function, ICMP anti attack Support binding of IP, MAC, port and VLAN Support MAC authentication Support MAC address filtering Support Broadcast/Multicast/Unknown-unicast Storm Control
General	Shell	Die-casting aluminum alloy housing, IP30
	Installation	DIN-rail mounting, wall mounting, desk mounting
	Net Weight	0.7 kg (1.54 lb)
	Gross Weight	0.8 kg (1.76 lb)
	Dimension (W × H × D)	140 mm × 52 mm × 110 mm (5.50" × 2.04" × 4.33")
	Operating Temperature	-40°C to 75°C (-40°F to 167°F)
	Storage Temperature	-40°C to 85°C (-40°F to 185°F)
	Operating Humidity	5% to 95% (no condensation)
	Relative Humidity	5% to 95% (no condensation)
	Power Supply	48-57VDC, Redundant dual inputs (Power supply unit is not included)
	Max. Power Consumption	250 W
	Power Consumption in Idle	10 W
Approval	EMC	FCC (47 CFR Part 15, Subpart A); EN55022 Class A, IEC (EN)61000-4-2, Class 4,IEC (EN)61000-4-4, Class 2,IEC (EN)61000-4-5, Class 2,IEC (EN)61000-4-11, Class 4,IEC (EN)61000-4-12, Class 4
	Safety	CE.CB.IEC.IECEE,IEC/EN62368-1,FCC Part 15 Subpart B Class A,IEC/EN55022 Class A,IEC60825-1

Physical Interface

Front panel:



Back panel:





Available Model

DS-3T3512P

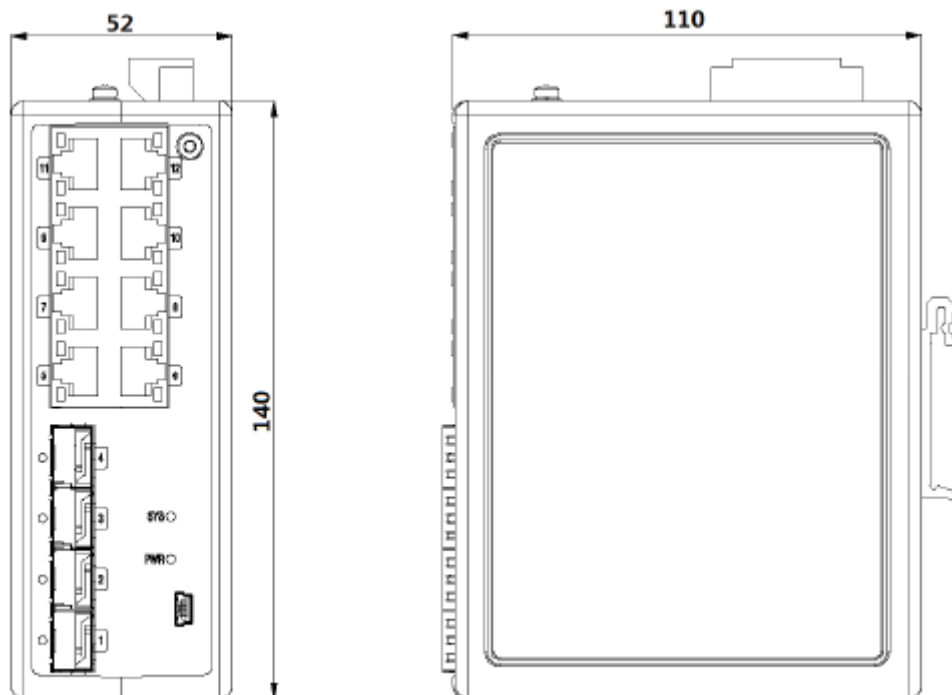
Model	Specifications
DS-3T3512P	Layer3 Industrial Switch made from Anti-Corrosion Aluminum Alloy and Stainless Steel. 4 1000BaseX SFP Ports, (SFP module not included), and 8 802.3af/at PoE/PoE+ 10/100/1000BaseT Ports. 1 Management Serial CLI Port. IP40 Protection Class, Operating Temperature from -40°C to +75°C. Dual 48-57VDC Power Inputs.

Optional Accessory

SFP Module	Fiber type	Connector	Date Rate	Wavelength	Distance
HK-SFP-1.25G-20-1310	Single fiber, Single-mode	LC	1000 Mbps	Tx1310nm/Rx1550nm	0 to 20 km
HK-SFP-1.25G-20-1550	Single fiber, Single-mode	LC	1000 Mbps	Tx1550nm/Rx1310nm	0 to 20 km
HK-SFP-1.25G-1310-DF-MM	Duplex fiber, Multi-mode	LC	1000 Mbps	Tx1310nm/Rx1310nm	0 to 1 km
HK-SFP-1.25G-20-1310-DF	Duplex fiber, Single-mode	LC	1000 Mbps	Tx1310nm/Rx1310nm	0 to 20 km

Power Supply	Specifications	Appearance
DRL-48V75W1AZ	75W industrial power supply, output48V, 1.57A, working temperature -20~70°C, DIN rail	
DRL-48V240W1EN	240W industrial power supply, output48V, 5.0A, working temperature -30~70°C, DIN rail	

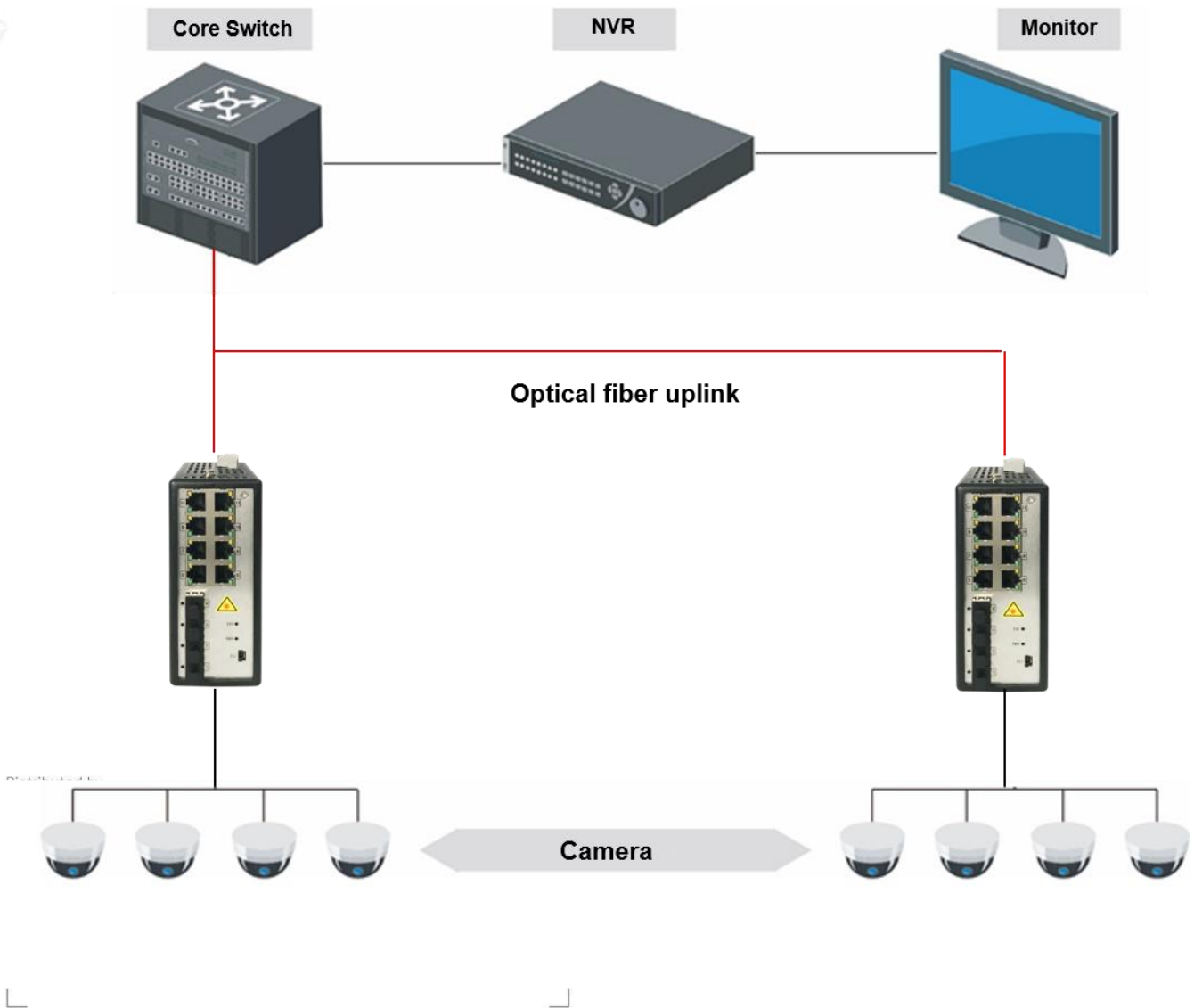
Dimension (Unit: mm)



Packing List

DS-3T3512P Series	
Switch	× 1
Console line	× 1
Quick Start Guide	× 1
Packing list	× 1

Typical Application



HIKVISION®

Headquarters

No.555 Qianmo Road, Binjiang District,
Hangzhou 310051, China
T +86-571-8807-5998
overseasbusiness@hikvision.com

Hikvision USA
T +1-909-895-0400
sales.usa@hikvision.com

Hikvision Australia
T +61-2-8599-4233
salesau@hikvision.com

Hikvision India
T +91-22-28469900
sales@pramahikvision.com

Hikvision Canada
T +1-866-200-6690
sales.canada@hikvision.com

Hikvision Thailand
T +662-275-9949
sales.thailand@hikvision.com

Hikvision Europe
T +31-23-5542770
sales.eu@hikvision.com

Hikvision Italy
T +39-0438-6902
info.it@hikvision.com

Hikvision Brazil
T +55 11 3318-0050
Latam.support@hikvision.com

Hikvision Turkey
T +90 (216)521 7070- 7074
sales.tr@hikvision.com

Hikvision Malaysia
T +601-7652-2413
sales.my@hikvision.com

Hikvision UK & Ireland
T +01628-902140
sales.uk@hikvision.com

Hikvision South Africa
Tel: +27 (10) 0351172
sale.africa@hikvision.com

Hikvision France
T +33(0)1-85-330-450
info.fr@hikvision.com

Hikvision Kazakhstan
T +7-727-9730667
nikia.panfilov@hikvision.ru

Hikvision Vietnam
T +84-974270888
sales.vt@hikvision.com

Hikvision UAE
T +971-4-4432090
salesme@hikvision.com

Hikvision Singapore
T +65-6684-4718
sg@hikvision.com

Hikvision Spain
T +34-91-737-16-55
info.es@hikvision.com

Hikvision Tashkent
T +99-87-1238-9438
uzb@hikvision.ru

Hikvision Hong Kong
T +852-2151-1761
info.hk@hikvision.com

Hikvision Russia
T +7-495-669-67-99
saleru@hikvision.com

Hikvision Korea
T +82-(0)31-731-8817
sales.korea@hikvision.com

Hikvision Poland
T +48-22-460-01-50
info.pl@hikvision.com

Hikvision Indonesia
T +62-21-2933759
Sales.Indonesia@hikvision.com

Hikvision Colombia
sales.colombia@hikvision.com